

Datasheet

6 Port Gigabit Ethernet Desktop Switch with FO Uplink (SFP)



General

The fanless MICROSENS 6 Port Gigabit Ethernet Desktop Switch is the ideal solution for office environments with high demands on local port density and performance.

The manageable switch is equipped with 5 TP ports, which automatically adapt to the speed of the connected end device. The uplink port is designed as an SFP slot for fiber optic-based networks (multi/single mode).

The Gigabit switch is compatible with SNMP, Telnet and web-based management interfaces and supports common Layer 2 standards such as QoS, VLAN and Port Access Control.

The external power supply enables easy connection to the mains voltage while maintaining very compact dimensions.

Features

Gigabit Ethernet Desktop Switch

- 5x 10/100/1000Base-T
- 1x 100/1000Base-X SFP

Security

- IEEE 802.1X
- SSH/SSL
- PVE (Private VLAN Edge)
- MAC Limiting per Port
- IP Source Guard
- Radius/ TACACS(+)
- Storm Control
- DHCP Snooping
- ACL (up to 256 entries)

Layer 2 Features

- Spanning Tree: IEEE 802.1d (STP), 802.1w (RSTP), 802.1s (MSTP)
- LACP (IEEE 802.3ad)
- VLAN, upto 4K VLANs simultaneously, 4096 ID's, Port-based, tag-based (802.1Q), MAC-based
- Q-in-Q VLAN
- GVRP (GARP VLAN Registration Protocol)
- DHCP Relay
- DHCP Option 66, 67, 82
- IGMP v1/v2/v3 Snooping, Querrier, Proxy
- MLD v1/v2 Snooping

Layer 3 Features

- IPv4 Static Routing (Unicast)
- IPv6 Static Routing (Unicast)

Management

- DHCP Server
- Zero Touch Upgrade
- RMON
- QoS (Hardware Queue, Scheduling, Classification, Rate Limiting)
- Port Mirroring
- UPnP
- s-Flow
- LLDP (802.1ab)
- SNMP v1, 2c und 3 (incl. USM)
- NTP
- IPv6 ready

Network Management

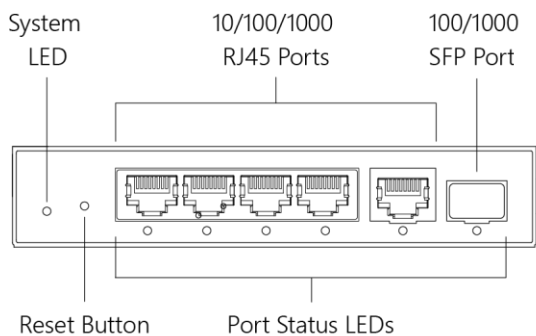
- Support of all common management standards
- Webmanager (HTTP/HTTPS)
- Telnet/SSH/Console, incl. Standard-Commands (ping, syslog etc.)
- SNMP v1/v2c/v3
- Firmware files can be loaded, saved and implemented via TFTP, directly on the switch

Power Supply

- External Power Supply 12VDC (1A), included in scope of delivery

Connections

Front



Rear



Technical Details

Switch

Type	Gigabit Ethernet Switch Layer 2, IEEE 802.3 compliant
MAC-Addresses	8.192 Addresses
Jumbo Frames	max. 9.216 Bytes

Twisted-Pair Ports

Quantity	5
Type	Gigabit Ethernet, Triple Speed 10/100/1000Base-T
Connection	RJ-45 socket, shielded
Cable type	Twisted-Pair Cable, Categorie 5e, Impedance 100 Ohm, Length max. 100 m

Fiber Ports

Quantity	1
Type	SFP (Dual Speed) 100/1000Base-X
Connection	SFP with LC (typical)

Control Panel

Reset-Button	<u>Press for 2-7 Seconds:</u> Resetting the switch <u>Press for 7-12 Seconds:</u> Restoring factory settings
---------------------	---

Environment

Temperature	Operation 0..50 °C Storage -20..70 °C
Humidity	10..90%, non condensing

Mechanical

Dimensions	139 x 27 x 102mm (W x H x D, without connections)
Weight	922 g
Power consumption	4W (typisch)

* For warranty reasons it is only permitted to use the power supply supplied by MICROSENS.

Displays

Type	LED
System LED	<i>green</i> Switch runs properly <i>off</i> Switch receives no or faulty voltage
RJ45 Ports	<i>green</i> Port is activated and a Link (1000Mbit/s) was established <i>blinking</i> Port receives/transmits Data at 1000Mbit/s <i>yellow</i> Port is activated and a Link (100Mbit/s) was established <i>blinking</i> Port receives/transmits Data at 100Mbit/s <i>off</i> No Link available/ detected or Port deactivated
SFP Ports	<i>green</i> Port is activated and a Link (1000Mbit/s) was established <i>blinking</i> Port receives/transmits Data at 1000Mbit/s <i>yellow</i> Port is activated and a Link (100Mbit/s) was established <i>blinking</i> Port receives/transmits Data at 100Mbit/s <i>off</i> No Link available/ detected or Port deactivated.

Power Supply (external)

Input (power supply)	100..240 VAC 50..60 Hz
Output (power supply)	12VDC (1A)*


Standards

Certification	CE, FCC Part 15 Class A
----------------------	-------------------------


Scope of delivery

<i>standard</i>	
MOQ	1 Stück
Scope of delivery	1x Desktop Switch 1x ext. 12VDC power supply


Order Information

	Description	Art. No.
	6 Port Gigabit Desktop Switch	
	6-Port GbE Desktop Switch managed 1x 100/1000X SFP-Slot, 5x 10/100/1000T, ext. PS (110/230VAC)	MS453514M

Alternativ Products

	Description	Art. No.
	10 Port Gigabit Desktop Switch	
	10-Port GbE Desktop Switch managed 2x 100/1000X SFP-Slots resp. 10/100/1000T (Combo), 8x 10/100/1000T, RS-232 Port (RJ-45), fanless, int. 110/230VAC (C14)	MS453526M

Accessories

	Description	Art. No.
	SFP Transceiver (further models available on request)	
	SFP GbE Transceiver 1.25G Multimode 850nm, DDM, LC, -40..+85°C	MS100200DX
	SFP GbE Transceiver 1.25G SingleMode 1310nm, 10km, DDM, LC, -40..+85°C	MS100210DX
	SFP FE Transceiver 155M Multimode 1310nm, DDM, LC, -40..+85°C	MS100190DX
SFP FE Transceiver 155M SingleMode 1310nm, 15km, DDM, LC, -40..+85°C	MS100191DX	
	Brackets for 6 Port Desktop Switch	
	Mounting adapter wall bracket for MS453514M	MS453514M-WH
	Magnetic holder for desktop switches, magnetic on both sides, 80x60x1mm	MS140815
	Magnetic holder for desktop switches, magnetic on both sides, 160x60x1mm	MS140816

Service

Description	Art.-No.
Warranty extension after 24-month manufacturer's warranty**	
Warranty extension by 1 year	MSGV01
Warranty extension by 2 years	MSGV02
Warranty extension by 3 years	MSGV03
Pre-configuration according to customer requirements	
Pre-configuration of the component according to customer specifications	MSConfig
Pre-configuration of the component according to customer specifications (configuration file known already)	MSConfig-OK
Pre-configuration according to customer specifications	
Creation and labeling according to customer specifications, max. 3 lines	MSLABEL

** The manufacturer's warranty is defined in the general terms and conditions [AGB \(§9\)](#) of MICROSENS GmbH & Co. KG.

This document in whole or in part may not be duplicated, reproduced, stored or retransmitted without prior written permission of MICROSENS GmbH & Co. KG. All information in this document is provided 'as is' and subject to change without notice. MICROSENS GmbH & Co. KG disclaims any liability for the correctness, completeness or quality of the information provided, fitness for a particular purpose or consecutive damage. MICROSENS is a trademark of MICROSENS GmbH & Co. KG. Any product names mentioned herein may be trademarks and/or registered trademarks of their respective companies. 19/2019 mf - Translated fdb 4220