

Datasheet

MICROSENS

Entry Line

Industrial Gigabit Ethernet Dual PoE+ Injector



Features

Ports

- 2x 10/100/1000Base-T IN (Data only)
- 2x 10/100/1000Base-T PoE+ OUT
- IEEE802.3af/IEEE802.3at compliant
- 1x pluggable screw connector
- 1x Grounding Screw

Housing

- DIN rail bracket or wall bracket (scope of delivery)
Protection class: IP 30
- Metal Housing

Power Supply

- Input 50..57 V DC redundant
- An external power supply (230 V AC) is not included in scope of delivery

Management

- No Management

Technical Details

Injector

Type 2 Port Gigabit Ethernet PoE+ Injector for industrial applications

Environment

Operating temp. -40..+70 °C
Humidity 5 ..90%, non condensing
Storage temp. -40..+80 °C

Ports (Data / Uplink)

Quantity 2 (Data only)
Type Gigabit Ethernet 10/100/1000Base-T
Connection RJ-45 socket, shielded
Cable type Shielded Twisted-Pair Cable, Cat. 5, Impedance 100 Ohm,

Ports (PoE / Downlink)

Quantity 2 (Data and Power)
Type Gigabit Ethernet, Triple Speed 10/100/1000Base-T, PoE+
Connection RJ-45 socket, shielded
Cable type Shielded Twisted-Pair Cable, Cat. 5, Impedance 100 Ohm,

Displays (LEDs)

PoE *on* PoE link
blinking active
off No PoE
Power *Green* Input voltage ok

Power Supply

Connection 4-Pin pluggable screw connector
Input 50..57VDC
Protection

- Reverse polarity protection
- Overvoltage protection

Grounding (PE) Via screw connector

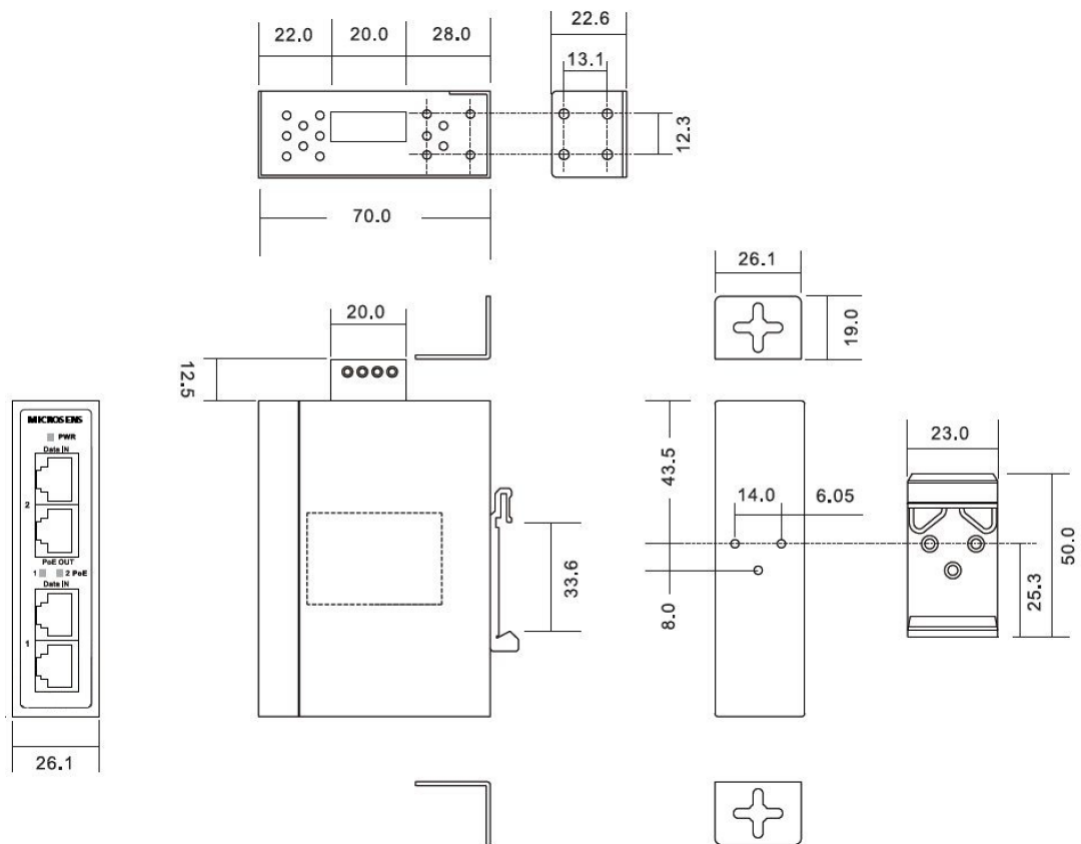
Mechanical

Dimensions 26,1 x 95 x 70 (W x H x D, without connectors)
Mounting either DIN rail bracket or wall mounting
Protection Class IP30
Housing Metal
Weight 250g

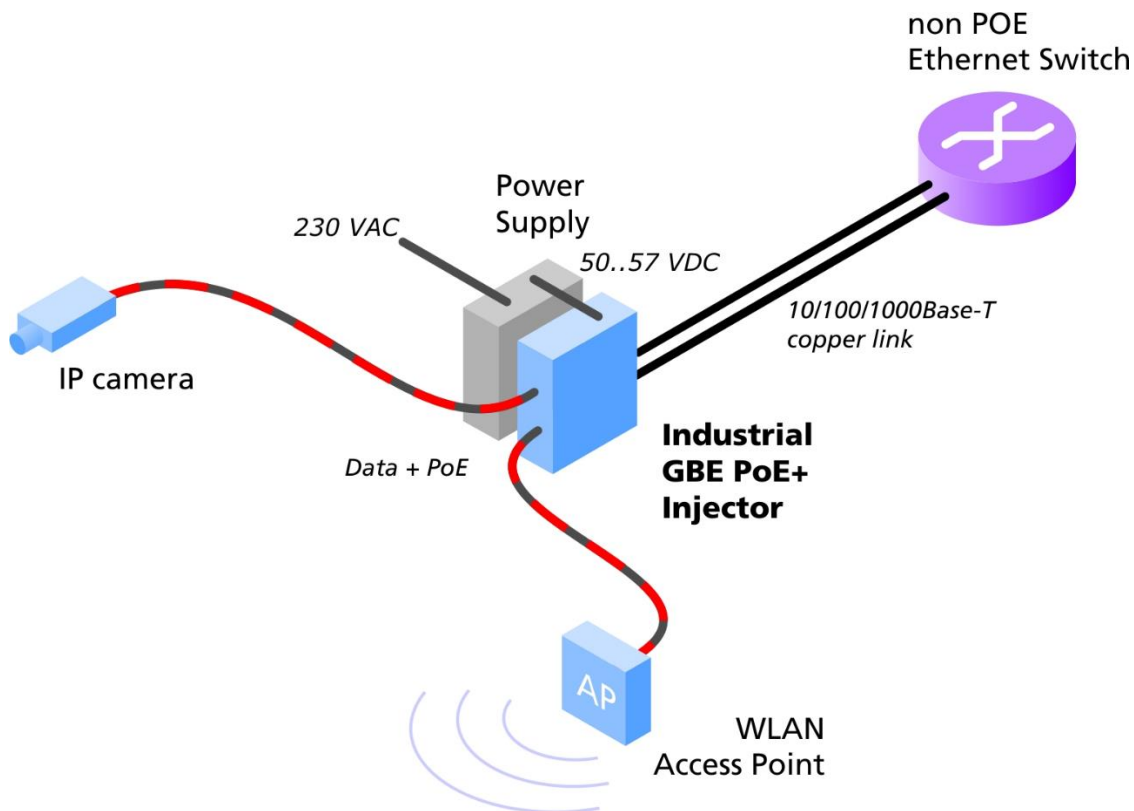
Standards

EMV EN61000-4-2
 EN61000-4-3
 EN61000-4-4
 EN61000-4-5
 EN61000-4-6
 EN61000-4-8
 EN61000-4-11
Safety CE / EN60950-1
Stability IEC60068-2-32 (Free fall)
 IEC60068-2-27 (Shock)
 IEC60068-2-6 (Fibration)
IEEE 802.3 10Base-T
 802.3u 100Base-TX
 802.3ab 1000Base-T
 802.3af PoE
 802.3at PoE+

Dimensions



Example of Application



Order Information



Dual PoE+ Injector

	Description	Art.-No.
	Industrial Dual PoE+-Injector, 2x 10/100/1000Base-T IN, 2x 10/100/1000Base-T PoE+ OUT, redundant power supply, extended operating temp. range -40..+70°C	
	Dual PoE+-Injector, 15,4W/30W Power supply 50..57 VDC, redundant	MS656030


Alternativ High Power PoE Injectors

	Description	Art.-No.
	Industrial PoE-Injector, 2x 10/100/1000Base-T, redundant power supply, extended operating temp. range -40..+75°C	
	PoE-Injector, 15,4W/30W, max. 36W @56V DC Power Supply 44..56 VDC, redundant	MS657031X
	PoE-Injector, 15,4W/30W/36W/60W, max. 72W @56V DC Power Supply 44..56 VDC, redundant	MS657032X
	PoE-Injector, 15,4W/30W/36W/60W, max. 72W @56V DC Power Supply 18..56 VDC , redundant, integrated Step-Up Converter	MS657032X-24
PoE-Injector, 15,4W/30W/36W/60W/72W, max. 95W @56V DC Power Supply 54..56 VDC, redundant, Power-over-HDBaseT (PoH)	MS657034X	

Alternativ Entry Line PoE Products

	Description	Art.-No.
	Industrial Gigabit Bridge, 1x 10/100/1000Base-T, 1x 100/1000Base-X (SFP-Slot), Extended Temperature Range -40..+75°	
	Industrial Gigabit Ethernet Bridging Converter with PoE+ 1x 10/100/1000Base-T with PoE+ (30 W) to 1x 100/1000Base-X SFP Port	MS657099PX
	Industrial Gigabit Ethernet Bridging Converter with HI-PoE (60W) 1x 10/100/1000Base-T with HI-PoE (60 W) to 1x 100/1000Base-X SFP Port	MS657099PHX
	6-Port Industrial Gigabit Switch, 4x 10/100/1000Base-T, 2x 100/1000Base-X (SFP-Slot), 1x as FO/TP-Comboport, extended temperature range -40..+75°C	
	Industrial Gigabit Switch, 4x 10/100/1000Base-T with PoE+ (30 W), 2x 48..56V DC redundant	MS657203PX

Accessories

	Description	Art.-No.
	Industrial DIN-Rail Power Supply	
	DIN-Rail Power Supply 48..56 VDC / 1,05 A, Wide range input 85..264 VAC/ 90..375 VDC Operating Temperature -10..+70°C	MS700455

This document in whole or in part may not be duplicated, reproduced, stored or retransmitted without prior written permission of MICROSENS GmbH & Co. KG. All information in this document is provided 'as is' and subject to change without notice. MICROSENS GmbH & Co. KG disclaims any liability for the correctness, completeness or quality of the information provided, fitness for a particular purpose or consecutive damage. MICROSENS is a trademark of MICROSENS GmbH & Co. KG. Any product names mentioned herein may be trademarks and/or registered trademarks of their respective companies. pk2518 – Translated fdb 4120